

Energy storage station cabinet size



Overview

Standard sizes often range from 1 meter to over 3 meters in height, 0.2 meters in depth, catering to diverse needs including residential, commercial, and industrial use. Unlocking the Secrets: Key Dimensions of. A BESS cabinet (Battery Energy Storage System cabinet) is no longer just a “battery box.” In modern commercial and industrial (C&I) projects, it is a full energy asset—designed to reduce electricity costs, protect critical loads, increase PV self-consumption, support microgrids, and even earn. What is the size of a household energy storage cabinet?

The size of a household energy storage cabinet varies significantly based on various factors such as the technology used, the manufacturer, and the energy capacity required for individual needs. The physical footprint directly impacts installation costs, scalability, and even safety compliance. Modern cabinets now come with: Take Tesla's latest energy storage cabinet.

Energy storage station cabinet size

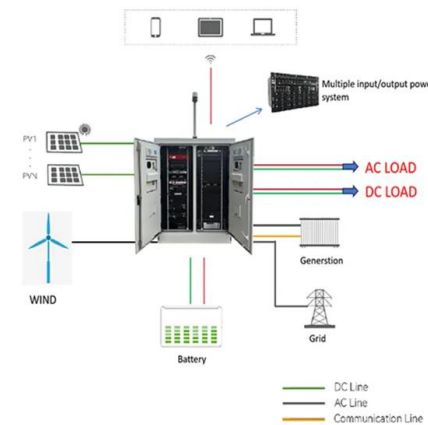


[Energy storage cabinet size and container size](#)

Adding Containerized Battery Energy Storage System (BESS) to solar, wind, EV charger, and other renewable energy applications can reduce energy costs, minimize carbon footprint, and increase ...

[Battery Cabinet Dimensions Guide , Huijue Group E-Site](#)

Industry data reveals a startling contradiction: While global battery storage capacity grew 42% YoY, 31% of new installations in 2023 required costly retrofits within 6 months. The core pain ...

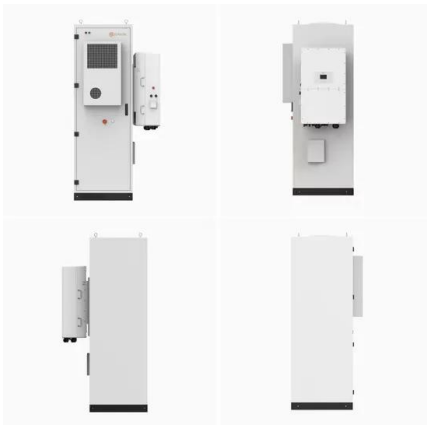


[Energy storage cabinet container size standards](#)

What size battery energy storage container do I Need? From small 20ft units powering factories and EV charging stations, to large 40ft containers stabilizing microgrids or utility loads, the right battery ...

[Standard dimensions of energy storage cabinets](#)

200KWh Outdoor Cabinets energy storage system. Our 200KWh outdoor cabinet energy storage system works with PowerNet outdoor control inverter cabinets for modular expansion. This means you can ...



[How to Choose the Right Energy Storage Cabine?](#)

This guide explains how to size a battery cabinet, compare core technologies, ensure safe operation, and evaluate warranties and integration compatibility before investing in a commercial energy ...

[Standard Energy Storage Cabinet Dimensions: What You Need to Know](#)

So next time you specify cabinet sizes, remember: You're not just measuring metal boxes. You're shaping the backbone of our energy future - one perfectly dimensioned cabinet at a time.



[Standard Energy Storage Battery Cabinet Dimensions](#)

Dimensions and weight are essential considerations during the installation of energy storage cabinets. The physical attributes influence how and where the cabinets can be



BESS CABINET

A BESS cabinet is an industrial enclosure that integrates battery energy storage and safety systems, and in many cases includes power conversion and control systems.



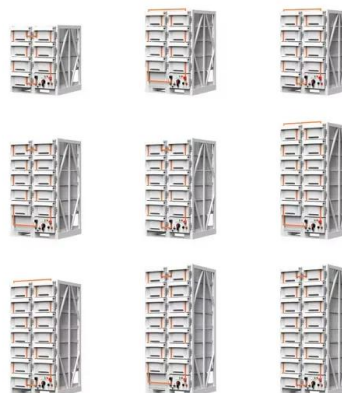
[Energy Storage Cabinet Dimensions: The Ultimate Guide for Industrial](#)

Why Cabinet Size Matters More Than You Think? When planning energy storage systems, 78% of engineers list cabinet dimensions as their top operational headache [3]. The physical footprint

...

[What is the size of a household energy storage cabinet?](#)

The size of a household energy storage cabinet varies significantly based on various factors such as the technology used, the manufacturer, and the energy capacity required for ...



Contact Us

For catalog requests, pricing, or partnerships, please visit:
<https://www.xraydiamondsolutions.co.za>