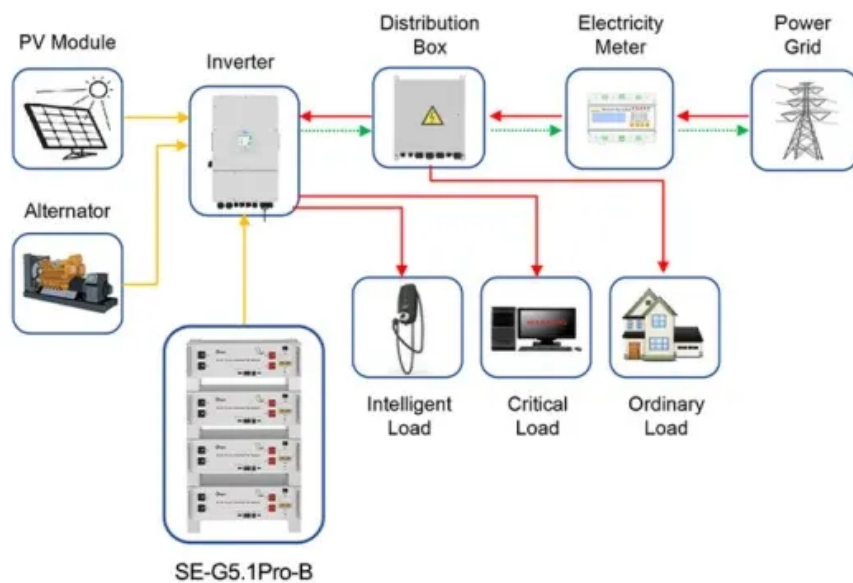


Huawei Oslo balcony solar panels



Application scenarios of energy storage battery products



Huawei Oslo balcony solar panels



[Everything to Know About Balcony Solar Panels](#)

Balcony solar panels mount in minutes, slash bills by up to EUR458 a year, cut 650 kg CO2, and give renters portable, plug-in clean power--no ...

[Everything You Need to Know About Solar Panels for Balconies](#)

With balcony solar panel systems, also known as mini or plug-in solar systems, you can! These compact renewable energy systems are ideal for urban apartment dwellers and renters who ...



[2026 Guide to Balcony & Plug-In Solar , Solar](#)

How Much Can You Actually Save? Is Balcony Solar Right for You? What is Balcony Solar? Balcony solar (also known as "plug-in solar") consists of 1-3 portable, lightweight panels that ...

[Everything to Know About Balcony Solar Panels](#)

Although you could install solar panels on a covered balcony, it wouldn't really be worth it. They'd still capture energy, as they do when it's cloudy, but you could expect a massive reduction in ...



[How to Install Solar Panel on Balcony , Best Solar Panels Guide](#)

Thanks to advancements in solar technology, compact and lightweight systems make it possible to install solar panels in tight spaces, including balconies. The key is choosing the best solar ...



[Residential Smart PV & ESS Solution , HUAWEI Smart PV Global](#)

Enjoy more sunlight on your roof with fewer worries. We offer extended services for solar homeowners, including technical support, device maintenance, and spare parts replacement. Join Huawei's Smart ...

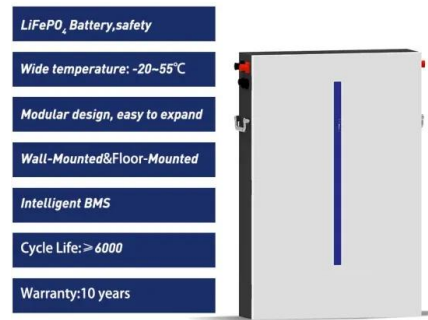


[The Ultimate Guide to Balcony Solar Systems](#)

Balcony solar systems typically consist of photovoltaic panels, mounting hardware, and an inverter to convert the DC electricity generated by the panels into usable AC electricity for household ...

Balcony Solar Panels

Balcony solar panels mount in minutes, slash bills by up to EUR458 a year, cut 650 kg CO2, and give renters portable, plug-in clean power--no electrician or roof needed.



[Solar Panels for Apartment Balconies: Complete 2025 Installation Guide](#)

Learn how to install solar panels on your apartment balcony. Complete guide covering costs, installation, legal requirements, and realistic expectations. Save money with renewable energy.

[Balcony Solar: A Solar Power Hack for Everyone](#)

"Balcony Solar" is a totally independent power system, so to use it you'll need to plug your devices directly into the portable power station and it basically operates like a giant battery.



[Balcony Solar: An Engineer's Definitive Guide \(Safety, Legality & Setup\)](#)

Dream of powering your apartment with the sun? As a systems designer, I'll show you how to do it right. The definitive guide to balcony solar, covering safety, legality, costs, and the 3 ...

Contact Us

For catalog requests, pricing, or partnerships, please visit:
<https://www.xraydiamondsolutions.co.za>