

Solomon Islands pack lithium battery



Solomon Islands pack lithium battery



[Where to Assemble a 72V Lithium Battery Pack in Honiara: A Practical](#)

Summary: Looking to assemble a 72V lithium battery pack in Honiara? This guide covers trusted suppliers, cost-saving strategies, and industry trends for renewable energy solutions in the Solomon ...

[Solomon Islands pack lithium battery factory](#)

Oslo Solomon Islands Energy Storage Project: Powering Aug 1, Welcome to the Solomon Islands, where the Oslo Solomon Islands Energy Storage Project aims to swap smoke-belching generators ...



[Solar Energy Equipment Manufacturer](#)

The typical products are PV inverter, storage inverter, lithium battery pack and EV charger that are widely applied to household, industrial and commercial new energy systems. Sunplus production ...

[SOLOMON ISLANDS LITHIUM BATTERY TRADING CENTER](#)

The Cook Islands in the Pacific will host a 5.6MWh lithium-ion battery energy storage system for the integration of renewables, in a project funded by the Asian Development Bank, European Union and ...



ESS

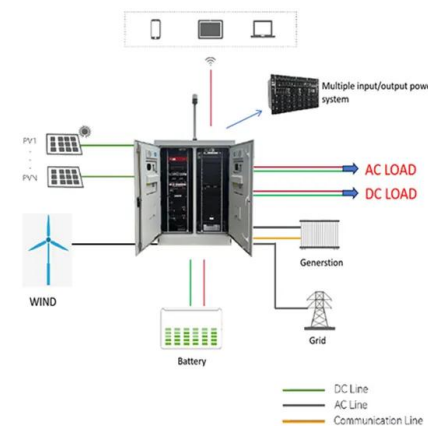


[Solomon Islands Lithium Ion Cell and Battery Pack Market \(2024-2030\)](#)

Solomon Islands Lithium Ion Cell and Battery Pack Market is expected to grow during 2023-2029

[Lifepo4 Battery Solar Energy Storage Systems Lithium Batteries Pack...](#)

About the item ? Power Up Your Adventures with Lifepo4! The Lifepo4 Battery Solar Energy Storage System offers a robust and reliable lithium battery solution, available in 24V and 48V options with ...



[Lithium Equipment Supplied In Solomon Islands](#)

Easily find, compare & get quotes for the top lithium equipment & supplies in Solomon Islands

[Smart Energy Storage Solutions: How Lithium Batteries Are Powering ...](#)

That's the reality for many in the Solomon Islands. With its scattered geography and reliance on diesel generators, energy security remains a critical challenge. But here's the good news: lithium battery ...

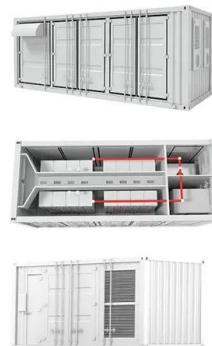


[SOLOMON ISLANDS LITHIUM BATTERY ENERGY STORAGE ...](#)

Next-generation battery management systems maintain optimal operating conditions with 45% less energy consumption, extending battery lifespan to 20+ years. Standardized plug-and-play designs ...

[Solomon Islands Battery Pack Market \(2025-2031\) . Analysis & Trends](#)

Solomon Islands Battery Pack Market Competition 2023 Solomon Islands Battery Pack market currently, in 2023, has witnessed an HHI of 7447, Which has increased slightly as compared to the HHI of ...



Contact Us

For catalog requests, pricing, or partnerships, please visit:
<https://www.xraydiamondsolutions.co.za>